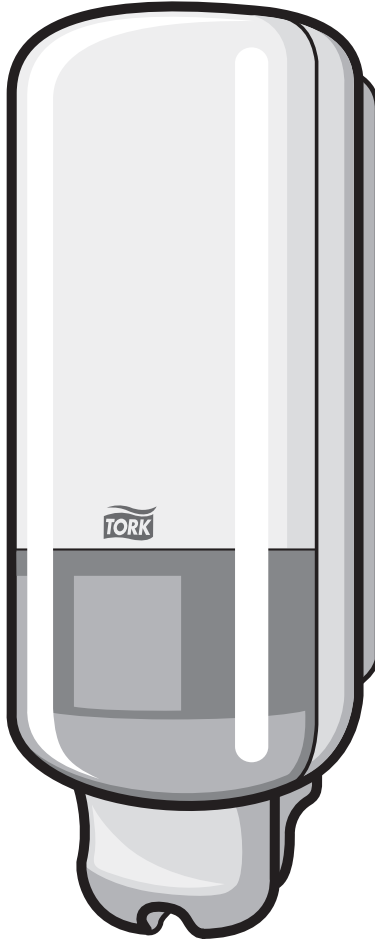


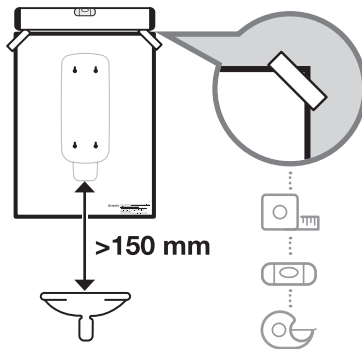
Tork Liquid and Spray Soap Dispenser

Elevation
Design

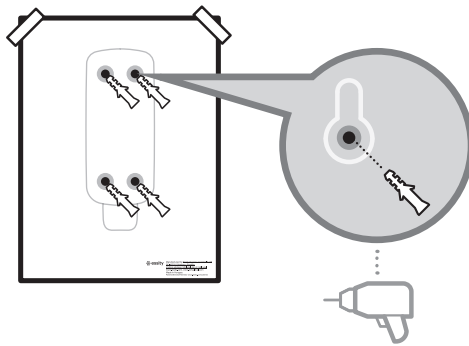
S1 S11



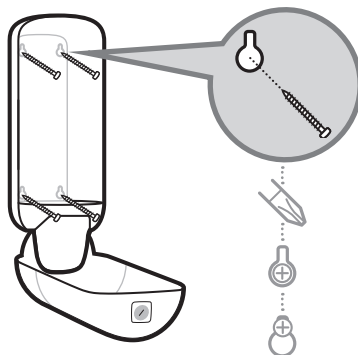
1



2

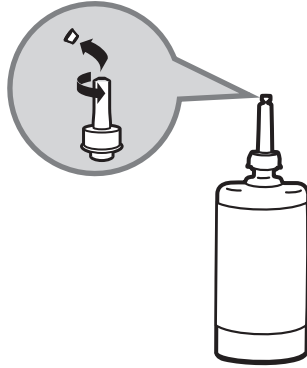


3

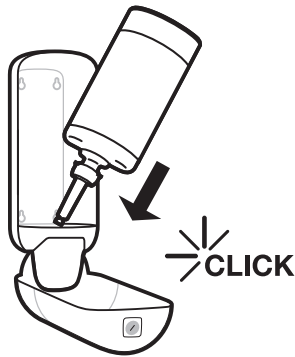


Tork Liquid and Spray Soap Dispenser

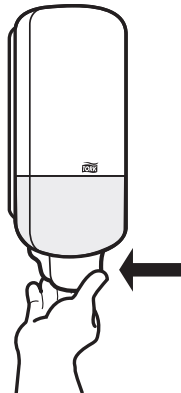
4



5



6

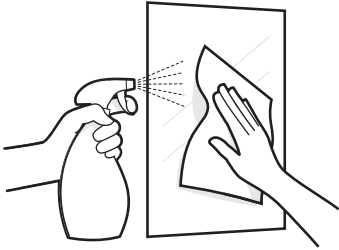


3

i

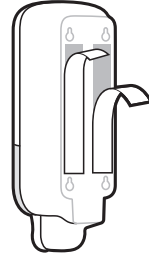
Mounting on mirror

1



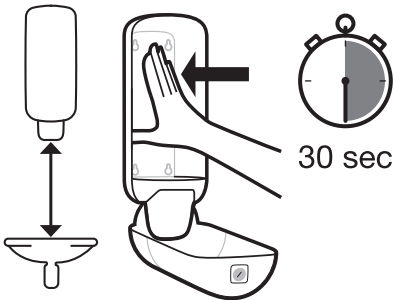
Ensure the mounting surface is flat, clean and dry.

2



Peel the protective liners from the tape exposing the adhesive.

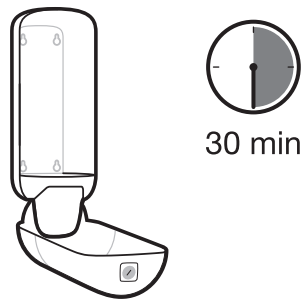
3



>150 mm

Mount the dispenser to the flat surface, press firmly and hold in place for at least 30 seconds.

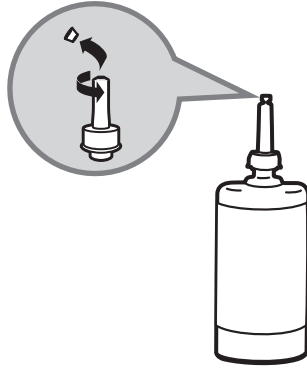
4



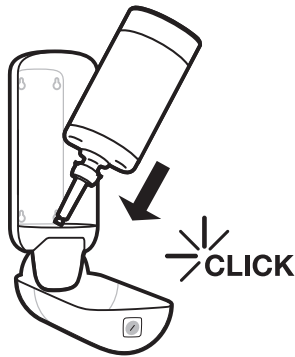
Do not place the refill or batteries in the dispenser for at least 30 minutes.

Tork Liquid and Spray Soap Dispenser

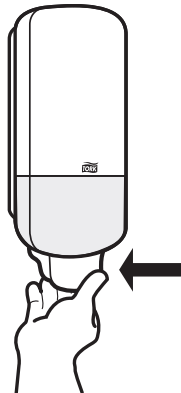
4



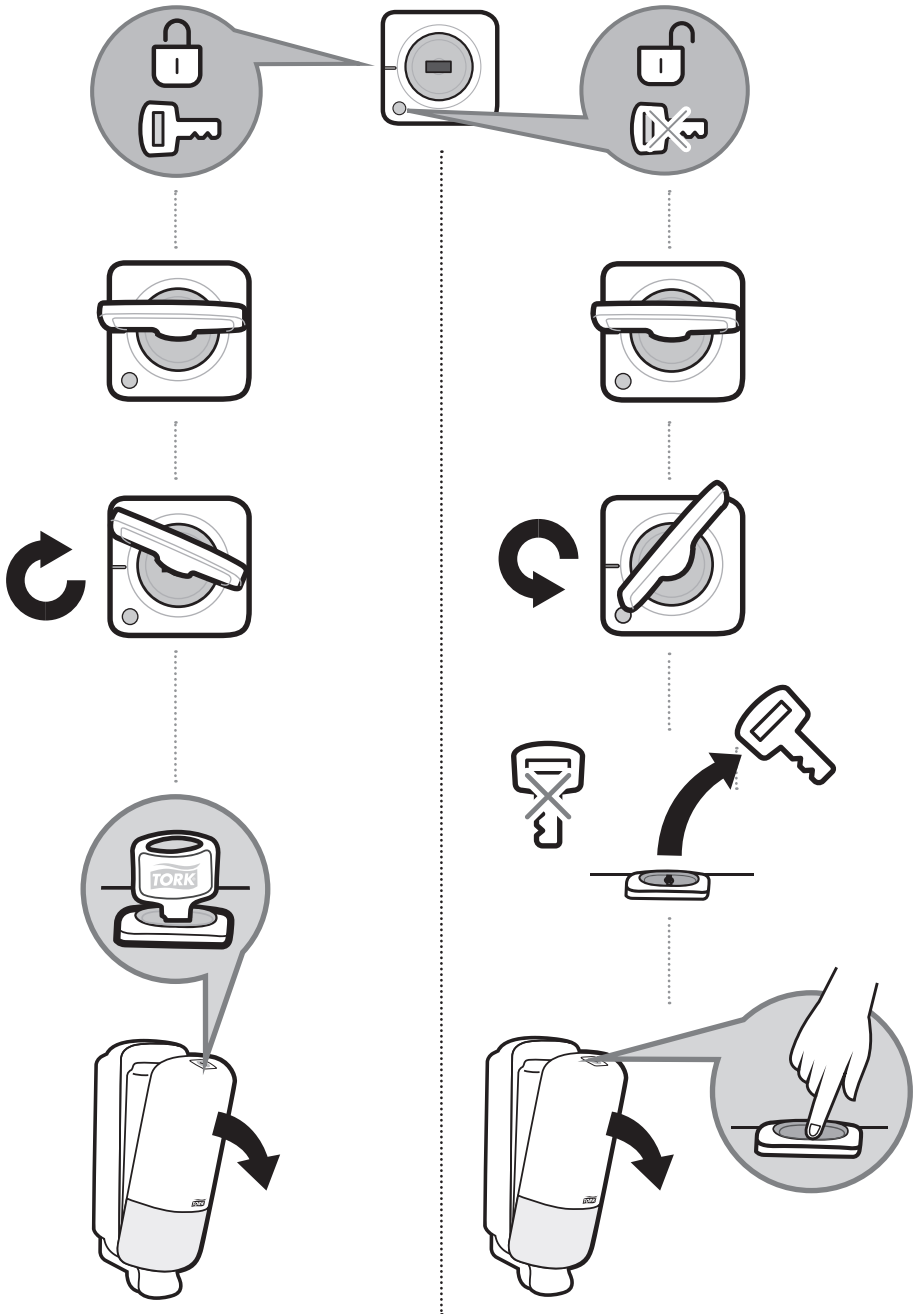
5



6



Tork Liquid and Spray Soap Dispenser



Disposal

- Damaged or malfunctioning product should be disposed of immediately to avoid potential of injury
- Products should be disposed of in accordance with applicable regulations

Cleaning instructions

- Clean dispenser with mild detergent and soft cloth

European Community Design Registration RCD 000929971



Manufactured by Essity Hygiene and Health AB
SE-40503 Göteborg, Sweden
Visiting address: Mölndals Bro 2, Mölndal
www.essity.com, www.torkglobal.com
Made in Hungary
Patents/Brevets/Patentes: www.essity.com/patents